

VAHLE

Conductor System Cleaning Device RHG U10 and FABA 100

SYSTEMS IN MOTION



Conductor rail cleaning device RHG

The cleaning device Model RHG cleans conductor rails with a conductor spacing of 14 mm (U10) and conductor rails with a conductor spacing of 15 mm (FABA 100) automatically and preventive from dust deposits. The cleaning device consists of an exhauster with filter housing and a suction hose (2,5 m). The suction head (U10) or the suction nozzle (FABA 100) must be ordered separately depending on the number of poles.

The cleaning device is delivered with a motor protection switch. Optionally it is equipped with a main power supply or 24 V control supply (for connection to the vehicle control). It is installed at the monorail vehicle on site. The suction head for U10 is equipped with cleaning elements instead of carbon brushes that absorb the dirt directly in the conductor rail. The cleaning elements are made of carbon that can electrically bridge isolating sections. For systems in which isolating sections must not be bridged, fully insulated cleaning elements are available on request. Please consider the shorter durability.

The compact conductor rail cleaners for U10 are available in the same number of poles as the compact current collectors. They differ from the current collectors by means of a cleaning element, which is installed in place of carbon brushes. They are installed as current collectors and clean the conductors with the integrated suction nozzle. For safety reasons Cleaning elements can not transmit power.

The suction head for FABA 100 is a suction nozzle which absorbs the dirt in a defined distance from the conductor rail over the complete number of poles.

Safety instructions:

- Caution when handling live parts!
Carbon dust is conductive and may cause short circuits!!
- On heavily soiled systems, the filter bag (inside the filter housing) needs to be replaced at short intervals!!
- Do not inhale carbon dust!
- Filter bags may not be shaken out but must be disposed!!

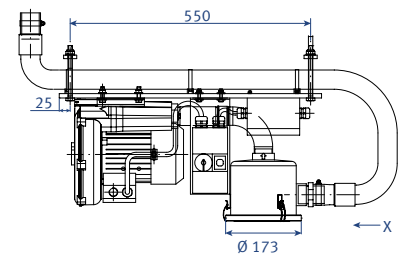
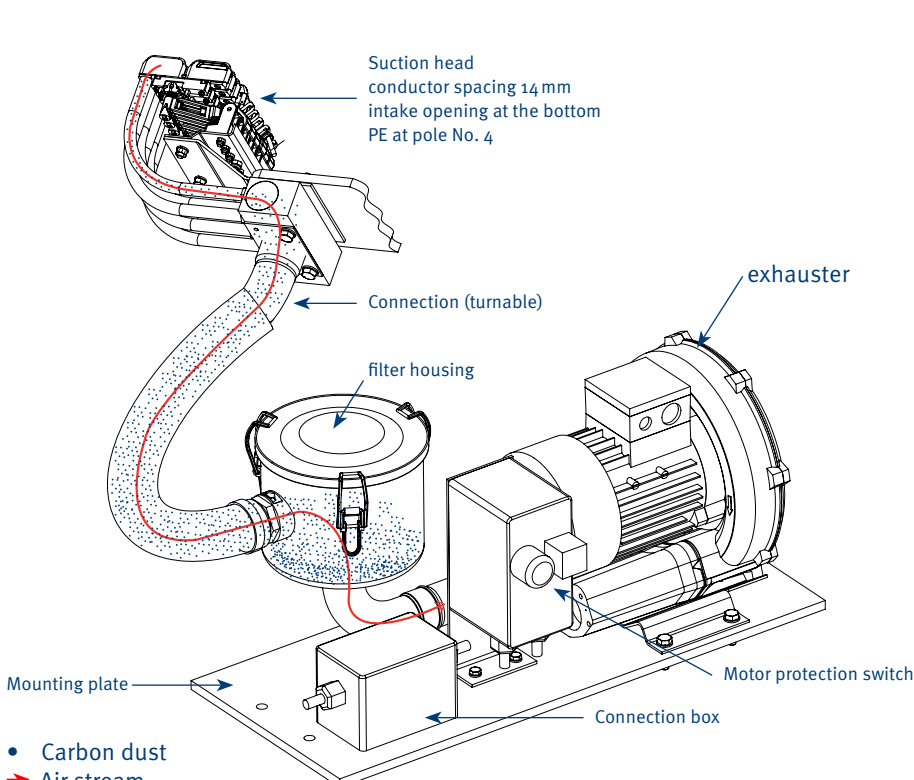
Technical data

Power	Power consumption	Starting current	Air throughput	Vacuum:	Operating noise	Weight
0,4 - 0,5 kW 220 - 415V 50Hz 220 - 480V 60Hz	1,5 - 2,6 A	max. 6 A	1.600 L/min	1.100 mm/Ws	56 dB (A)	21 kg

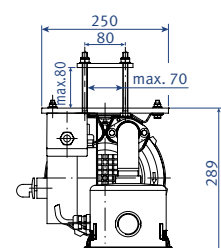
Types

Type	Description	Order - No.
RS-RHG-3/200-480	RHG for main power supply	143 153
RS-RHG-3/200-480/24	RHG for control supply 24 V	143 154

RHG with suction head for U10

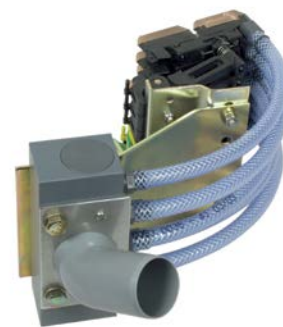
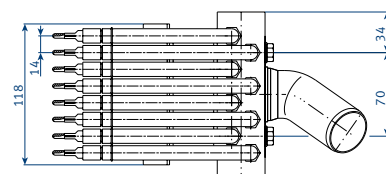
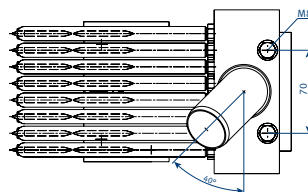
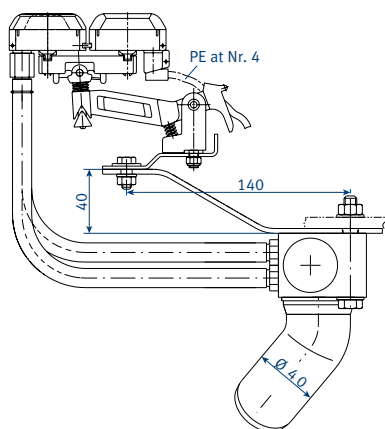


View X
without suction hose



Suction head for U10

conductor spacing 14 mm



Type	Number of poles	Order - No.
RS-SKDS2/40-4/14HS/2S-4-W45	4	142 808 - 2S
RS-SKDS2/40-5/14HS/2S-4-W45	5	143 155 - 2S
RS-SKDS2/40-6/14HS/2S-4-W45	6	142 546 - 2S
RS-SKDS2/40-7/14HS/2S-4-W45	7	142 603 - 2S
RS-SKDS2/40-8/14HS/2S-4-W45	8	142 539 - 2S
RS-SKDS2/40-10/14HS/2S-4-W45	10	142 683 - 2S

Further models for different numbers of poles/conductors, conductor spacings and conductor systems upon enquiry.

Suction nozzle for FABA 100



Type	Number of poles	Order - No.
RS-SDW-6-94-BW-RHG	6	2823067
RS-SDW-8-120-BW-RHG	8	2823190
RS-SDW-9-135-BW-RHG	9	2822631

Compact conductor cleaner

for conductor system U10
As is mandatory for overhead monorail systems
pole no. 4 has a PE connection.



Type	Poles	Order - No.
RS-ARDS2/40-4/14HS/2S-0,5-4/4	4	142 807 - 2S
RS-ARDS2/40-5/14HS/2S-0,5-4/4	5	143 156 - 2S
RS-ARDS2/40-6/14HS/2S-0,5-4/6	6	142 549 - 2S
RS-ARDS2/40-7/14HS/2S-0,5-4/8	7	142 604 - 2S
RS-ARDS2/40-8/14HS/2S-0,5-4/8	8	142 540 - 2S
RS-ARDS2/40-10/14HS/2S-0,5-4/10	10	142 682 - 2S

Conductor cleaner (1-pole)



Type	Description	Order - No.
RS-ARDS2/40-PH-2S	without PE connecting cable	142 541 - 2S
RS-ARDS2/40-PE-2S	with PE connecting cable	142 542 - 2S

Cleaning head



Type	Description	Order - No.
RS-ARDSW2/40PH-2S-FN	without PE connecting cable	142 872 - 2S
RS-ARDSW2/40PE-2S-FN-0,5	with PE connecting cable	142 620 - 2S

Accessories

Type	Description	Order - No.
RS-FPEW-RHG	Disposable filter cartridge	2822675
RS-SSL12/255	Spare hose (Ø12, 255 mm long)	142 582
RS-SSL12/270	Spare hose (Ø12, 270 mm long)	142 583
RS-SSL40/2000	Spare hose to blower, (Ø40, 2 m long)	142 626
RS-VP-3/200-480	Exhauster	2822371
RS-FG-RHG	Filter housing	2822373



DQS -certified with DIN EN ISO 9001:2008
OHSAS 18001 (Reg.Nr. 003140 QM OH)